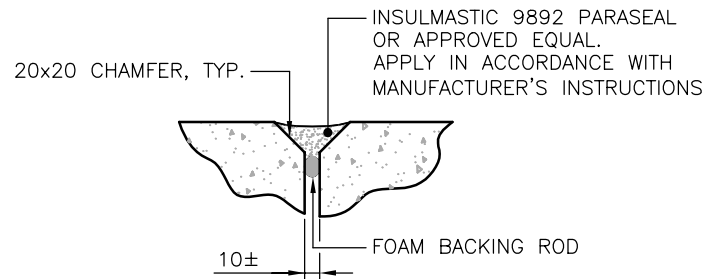
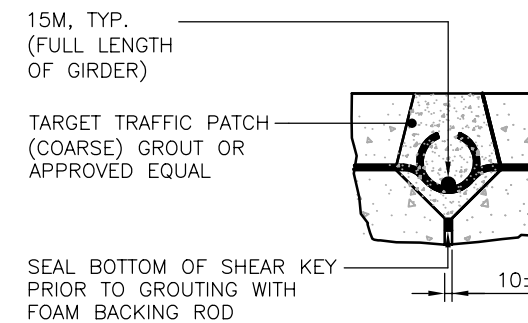


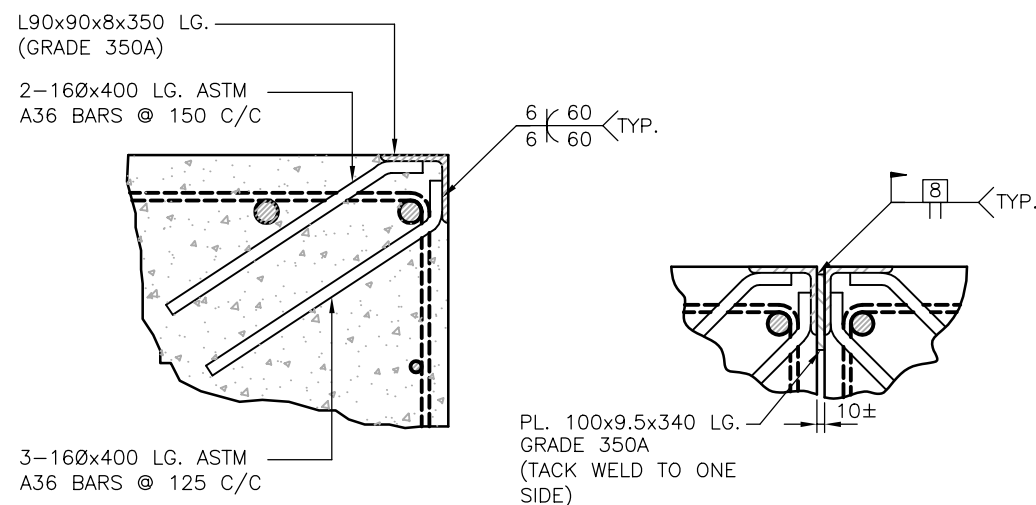
JOINT FILLER DETAIL FOR UNCONNECTED SLABS
N.T.S.



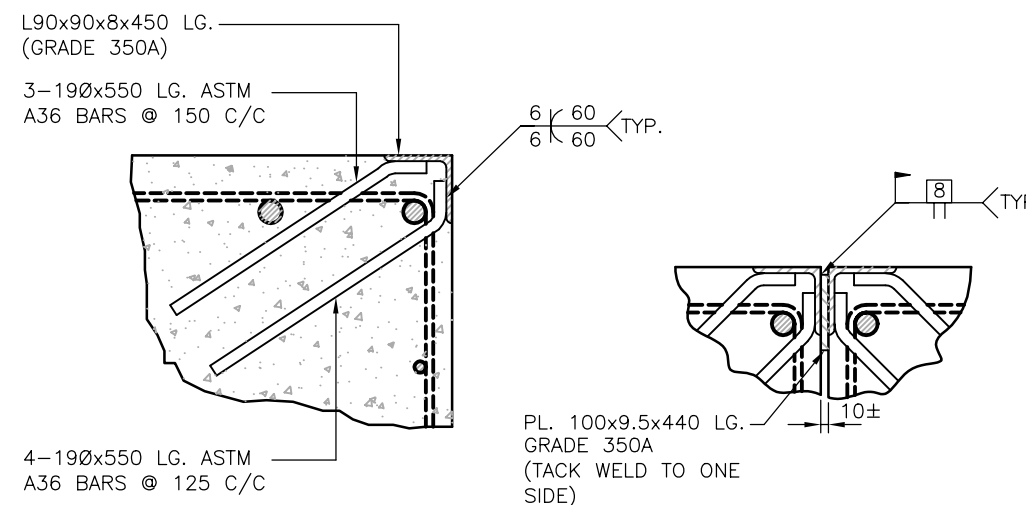
JOINT FILLER DETAIL FOR WELDED SHEAR CONNECTED SLABS
N.T.S.



JOINT FILLER DETAIL FOR GROUTED SHEAR KEY SLABS
N.T.S.



BCL 625/ L100 SHEAR CONNECTOR DETAIL
(MAXIMUM SPACING: BCL 625 = 2400, L100 = 2000)



L150/ L165 SHEAR CONNECTOR DETAIL
(MAXIMUM SPACING: L150 = 1800, L165 = 1800)

ASSUME NOT TO SCALE
ORIGINAL SIGNED AND SEALED

SCALE AS SHOWN
Designed: J.H. Date: MAR 2010
Checked: D.J.H. Date: MAR 2010
Drawn: W.R. Date: MAR 2010

STANDARD BRIDGE DRAWING

Rev	Date	DESCRIPTION	Init

STANDARD PRECAST REINFORCED CONCRETE SLAB BRIDGE SLAB DETAILS - SHEET 2

ORIGINAL SIGNED and SEALED BY: JULIEN HENLEY	APPROVED BY:
DESIGN ENGINEER	MOF ENGINEER
DATE: JULIEN HENLEY	DATE:
FILE No.	DRAWING No.

REVISIONS

STD-EC-070-04 | 0

CANCEL PRINTS BEARING PREVIOUS LETTER