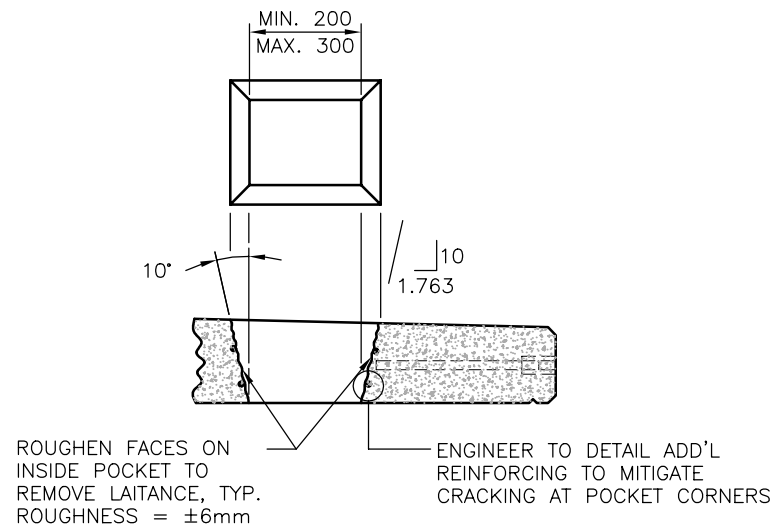
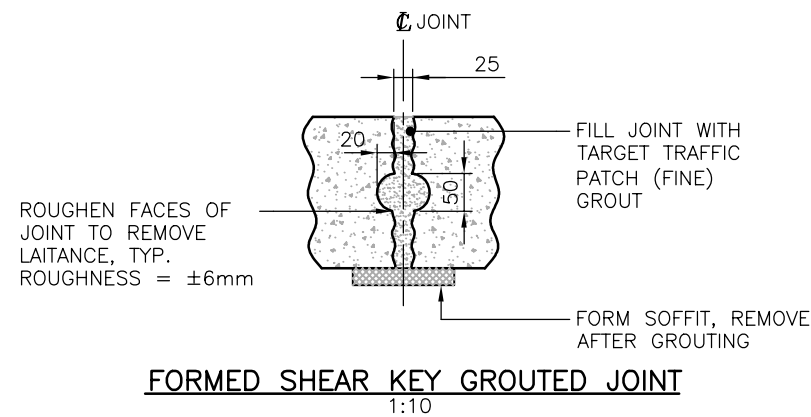
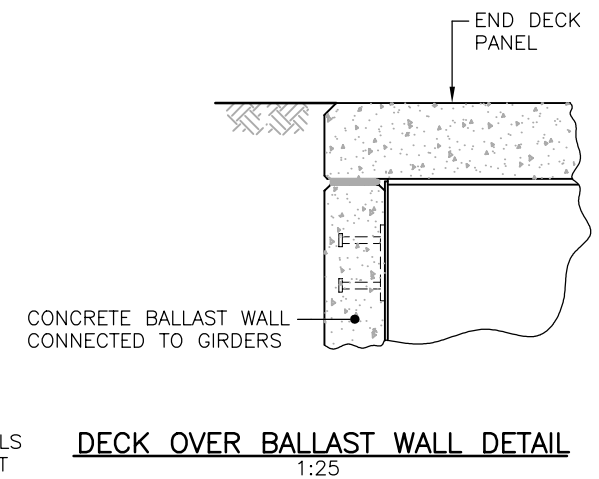


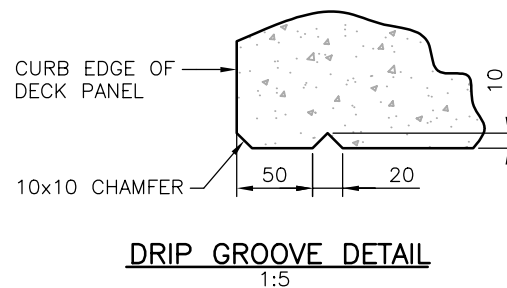
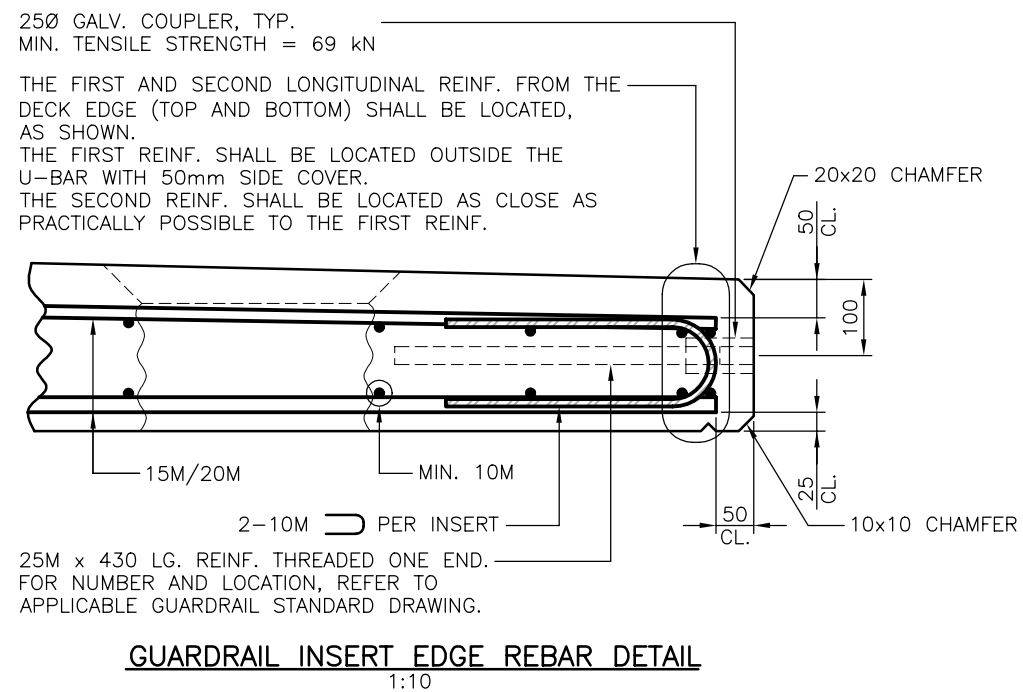
NOTE:  
FOR DETAILS REFER TO M.F.R.  
STD. DWG. STD-E-050-01



NOTE:  
THE RECTANGULAR BLOCKOUT DETAILS DO NOT PROVIDE VERTICAL SUPPORT OF THE DECK PANELS. THE ENGINEER SHALL TAKE MEASURES TO ENSURE ADEQUATE VERTICAL SUPPORT OF THE DECK PANELS IS ACHIEVED.



NOTE:  
FOR DETAILS REFER TO M.F.R.  
STD. DWG. STD-E-050-01



**ASSUME NOT TO SCALE**

**ORIGINAL SIGNED AND SEALED**

**BRITISH COLUMBIA**  
The Best Place on Earth

**MINISTRY OF FORESTS & RANGE**  
ENGINEERING BRANCH, FIELD OPERATIONS DIVISION

SCALE AS SHOWN

Designed: J.H. Date: MAR 2010  
Checked: D.J.H. Date: MAR 2010  
Drawn: W.R. Date: MAR 2010

Rev	Date	DESCRIPTION	Init

**STANDARD BRIDGE DRAWING**

**STANDARD STEEL GIRDER BRIDGE WITH COMPOSITE DECK  
COMPOSITE PRECAST DECK PANEL - DETAILS**

ORIGINAL SIGNED and SEALED BY: JULIEN HENLEY	APPROVED BY:
DESIGN ENGINEER	MOF ENGINEER
DATE: JULIEN HENLEY	DATE:
FILE No.	DRAWING No.
	STD-EC-030-09