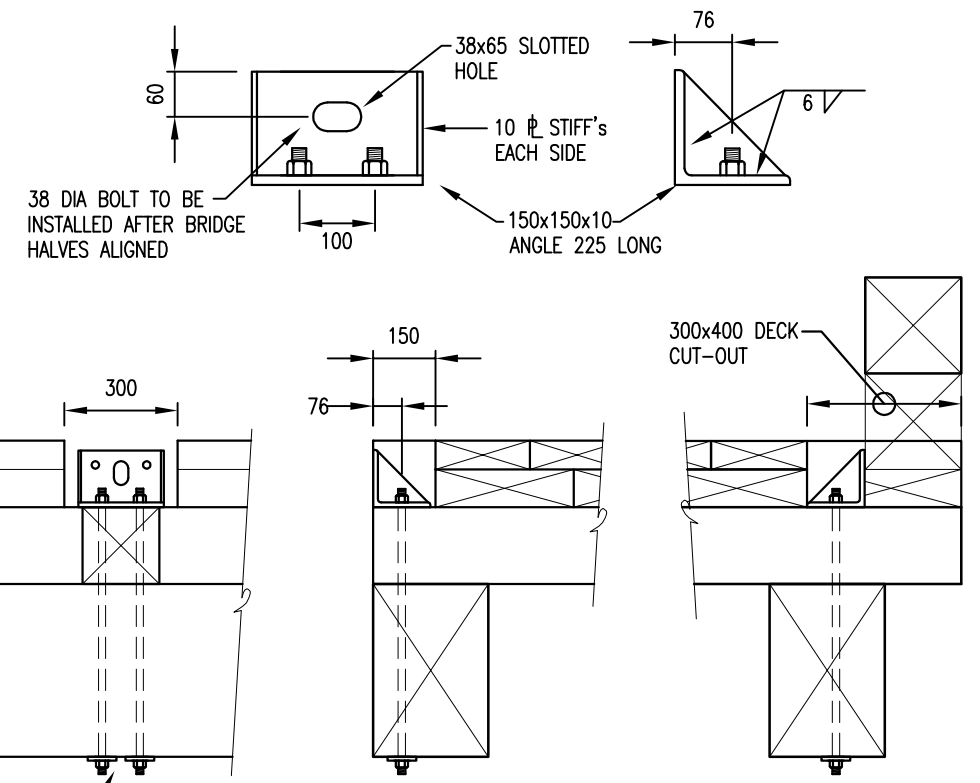
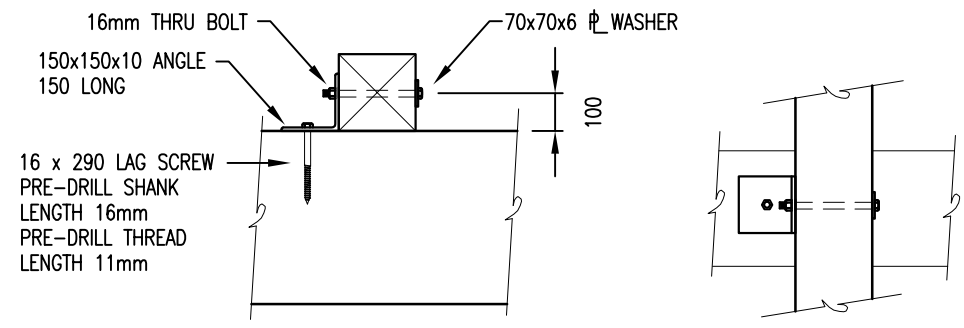


SECTION A
1:25

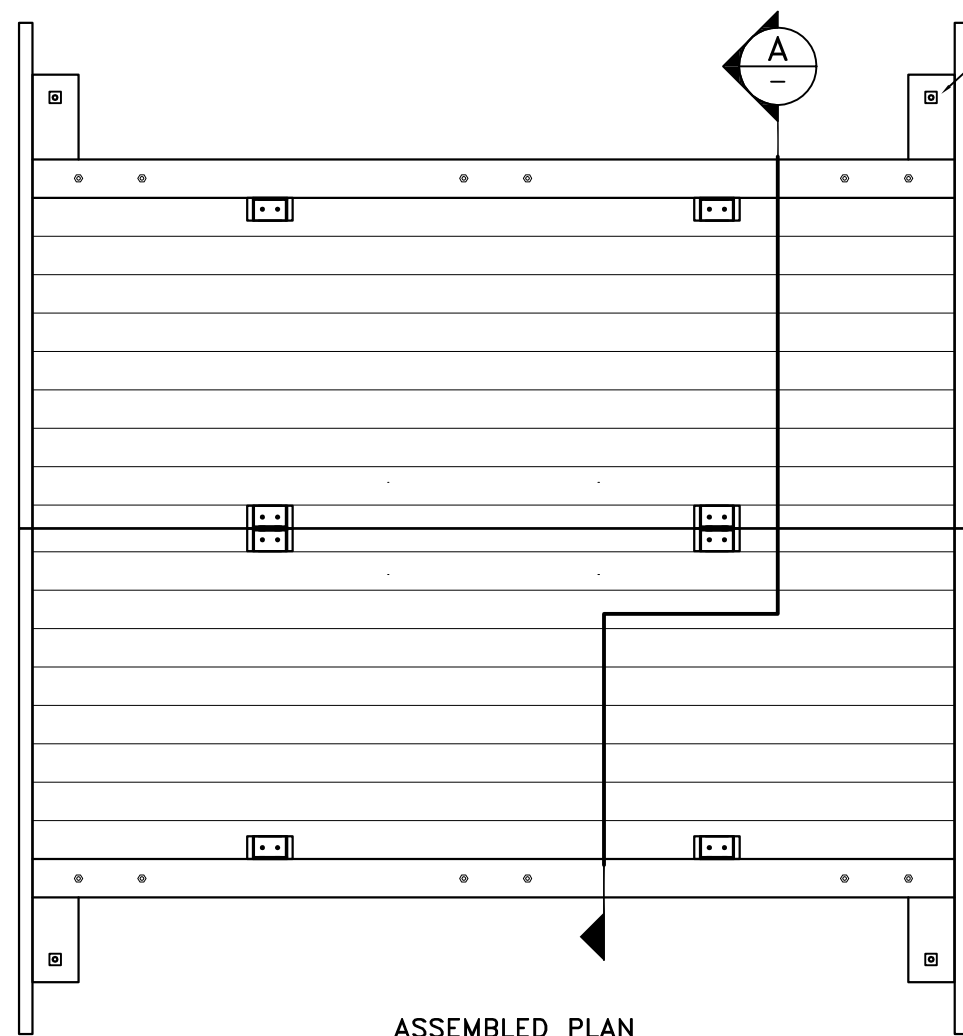


DETAIL 1: LIFTING BRACKETS
1:20

20 DIA THRD RODS
76x76x6 PLATE
WASHERS BOTTOM




DETAIL 3 TIE CONN
1:20



ASSEMBLED PLAN
1:40

ASSUME NOT TO SCALE
ORIGINAL SIGNED AND SEALED



Ministry of Forests and Range
ENGINEERING BRANCH, FIELD OPERATIONS DIVISION

SCALE AS SHOWN		Designed: ABS Date: 2010/03/17	STANDARD BRIDGE DRAWING
		Checked: LY Date: 2010/03/17	
		Drawn: ABS Date: 2010/03/17	
6.1 M SPAN TIMBER PORTABLE BRIDGE GENERAL ARRANGEMENT & DETAILS			
ORIGINAL SIGNED and SEALED BY: A. B. SWAN, P.Eng		MFR ENGINEER: GARY McCLELLAND, P. ENG DREW ALWAY, P. ENG, RPF	
DESIGN ENGINEER: A. B. SWAN P. ENG		APPROVED BY: BRIAN CHOW, P. ENG, CHIEF ENGINEER	
DATE: FEB 12, 2010		DATE	
FILE No.		DRAWING No.	
REVISIONS		STD-E-025-03 1	

CANCEL PRINTS BEARING PREVIOUS LETTER

2009/02/19 \\STUDY-PC\Public\Documents\ACAD Dwg\