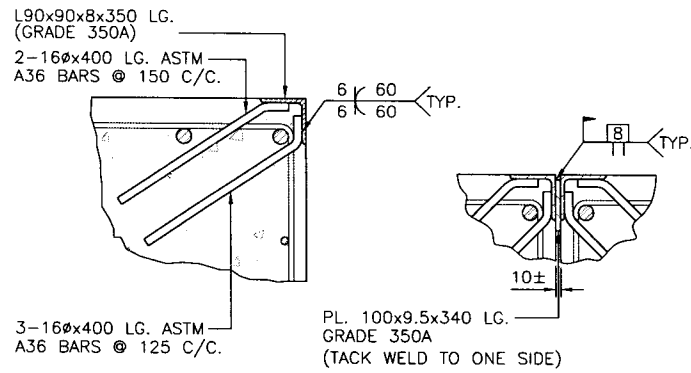
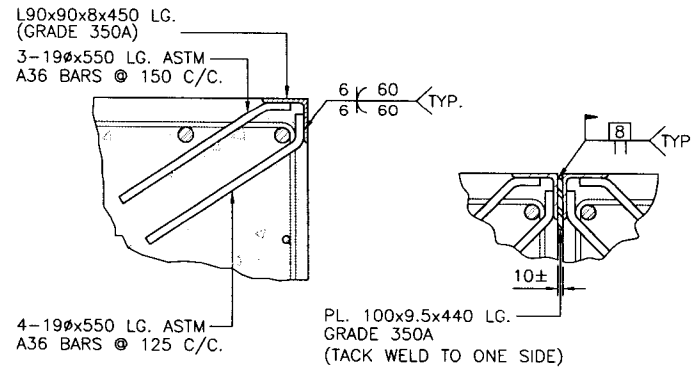


CL 625 SHEAR CONNECTOR DETAILS
(MAXIMUM SPACING = 2400)



INTERIOR/COASTAL OFF-HIGHWAY SHEAR CONNECTOR DETAILS
(MAXIMUM SPACING = 2000)



HEAVY COASTAL OFF-HIGHWAY SHEAR CONNECTOR DETAILS
(MAXIMUM SPACING = 1800)

DESIGN: J.H.	
CHECK: M.G.J.	
DRAWN: M.H.	
DATE: DEC 2004	
SCALE: N.T.S.	
JOB No. 012187	
DWG. No. SK-01	0

B.C. MINISTRY OF FORESTS

STANDARD WELDED SHEAR CONNECTOR DETAILS

