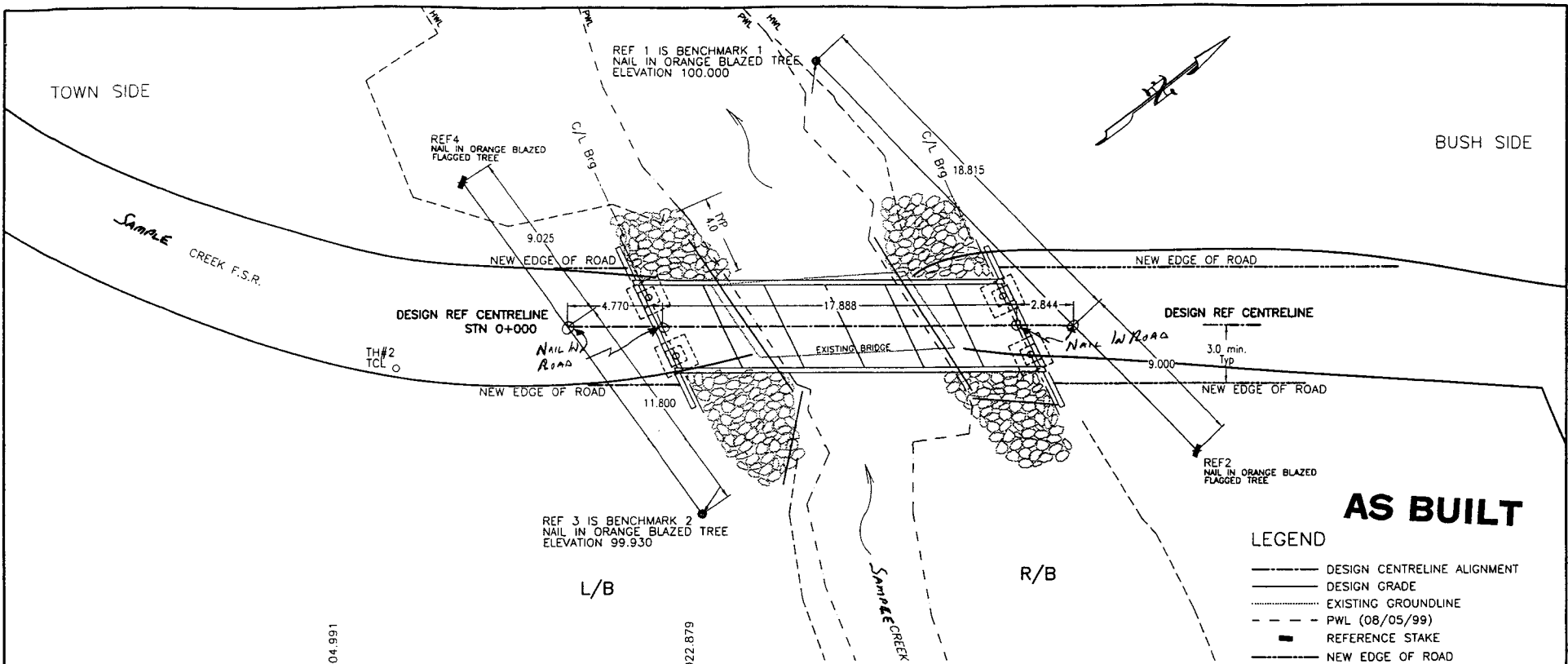


SCALE: 1 : 200 (Metric)		PROJECT No. 11250-1234/12	STRUC. No. N7 - 105
<b>SAMPLE CREEK F.S.R. km 1.9 - SAMPLE CREEK</b>			
<b>SITE PLAN</b>			
Province of British Columbia MINISTRY OF FORESTS - NELSON REGION			
		Survey: <i>ABC SURVEY</i>	
		Design: <i>P. ENLINEER</i>	
1	<i>AS-BUILT</i>	<i>PE</i>	<i>01/03/14</i>
0	FOR CONSTRUCTION	<i>ID</i>	<i>PE</i>
REV.	DESCRIPTION	BY	DATE
DWG. No. N7-105-1			Rev. 1

BC-117105-1057-1057\_DWG SHEET 1 OF 4



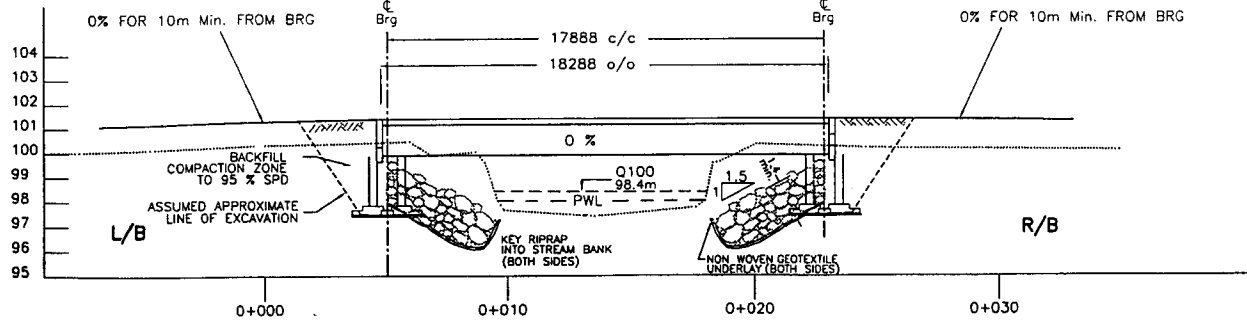
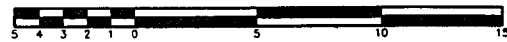
PLAN

**AS BUILT**

LEGEND

- DESIGN CENTRELINE ALIGNMENT
- DESIGN GRADE
- ..... EXISTING GROUNDLINE
- - - - PWL (08/05/99)
- REFERENCE STAKE
- NEW EDGE OF ROAD

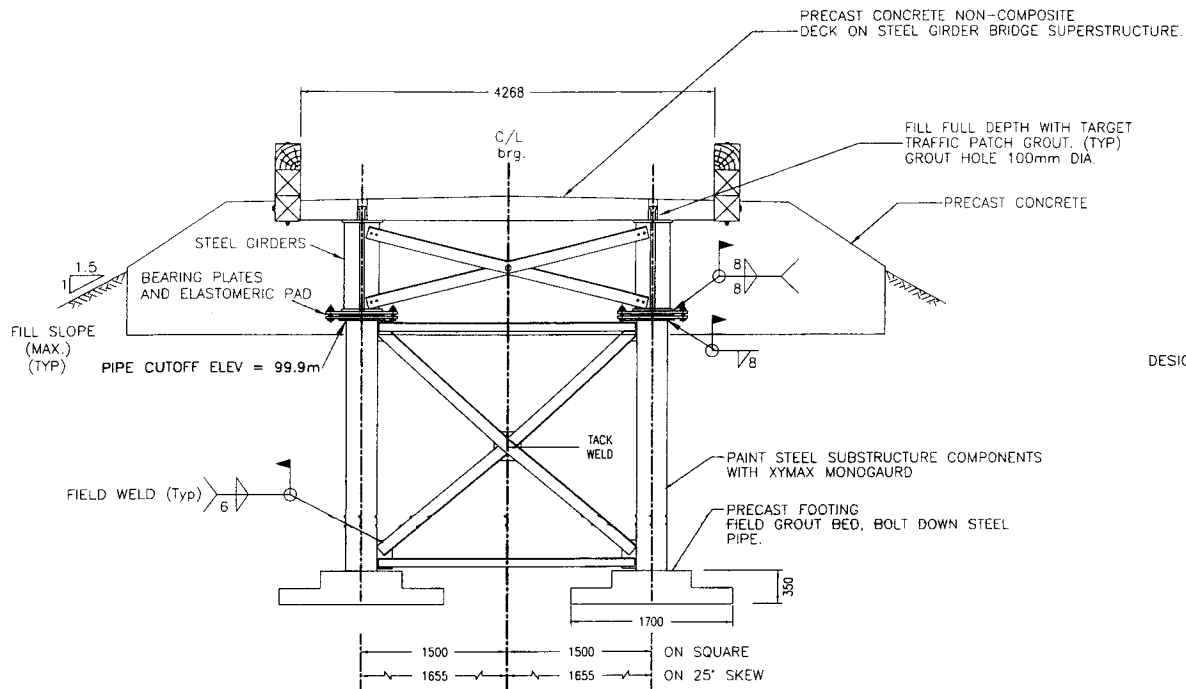
SCALE BAR



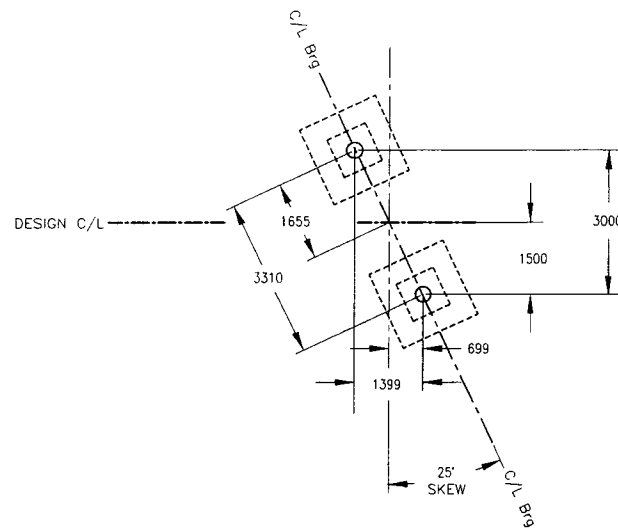
C/L DESIGN PROFILE

SCALE: H 1:200 V 1:200 (Metric)		PROJECT No. 11250-1234.12	STRUC. No. N7 - 105
<b>SAMPLE CREEK F.S.R. km 18.815 - SAMPLE CREEK</b> GENERAL ARRANGEMENT			
Province of British Columbia MINISTRY OF FORESTS - NELSON REGION			
		Survey: <i>ABC SURVEY</i>	
2	AS-BUILT	PE 01/03/14	Design: <i>P. ENGINEER</i>
1	REF NAILS IN ROAD	PE 01/03/14	Drawing: <i>J DRAFTSMAN</i>
0	FOR CONSTRUCTION	LD PE 03/20/08	DWG. No. N7-105-2
REV. DESCRIPTION	BY	APPD	DATE
			Rev. 2

BC-11105-V105-DWG SHEET 2 OF 4



**ABUTMENT ELEVATION**  
NOT TO SCALE



**DETAIL 'A' - PIPE AND PAD LAYOUT DETAIL**  
SCALE 1:100

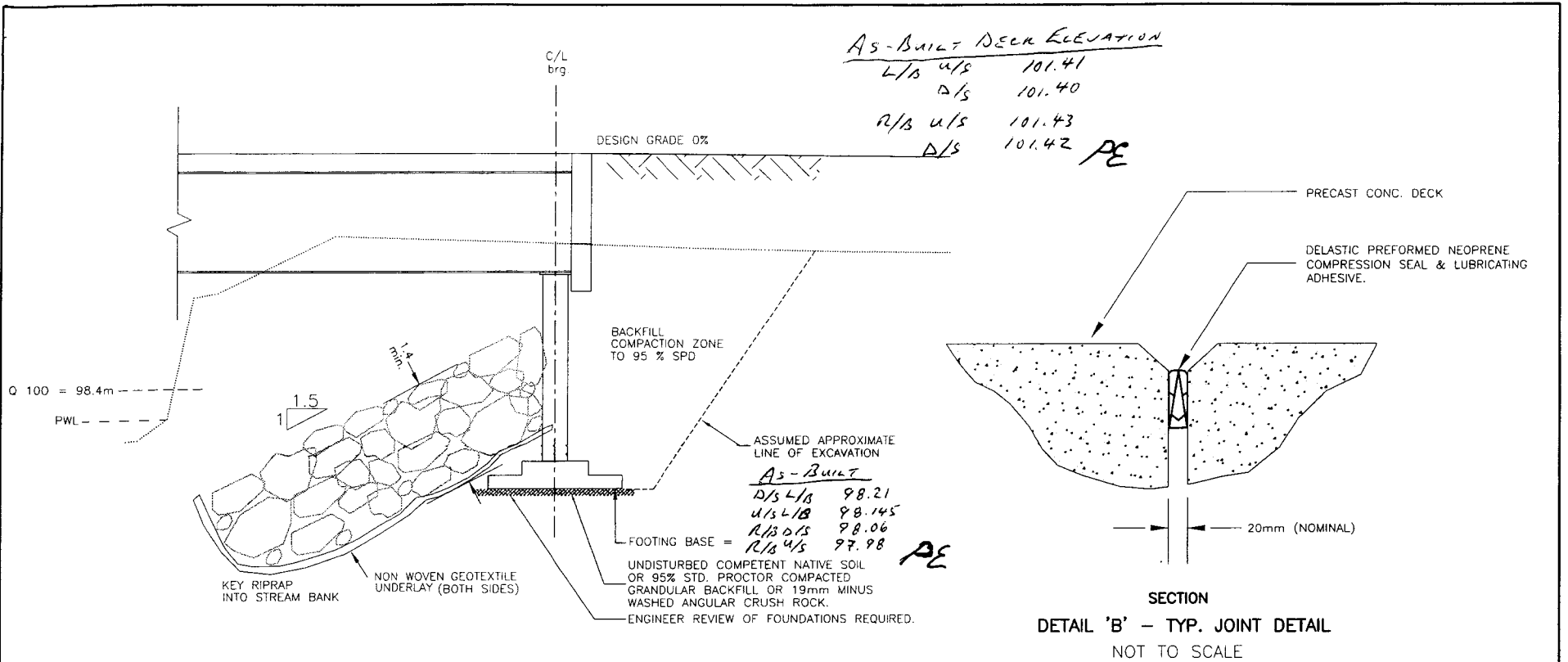
**NOTES:**

1. All field welding to be completed by a certified welder.
2. Native subsurface bearing soils assumed to be granular with minimum 200 KPa bearing capacity.
3. Engineer review of foundations required.
4. Backfill to be well drained granular material, machine compacted in maximum 300mm lifts.
5. Backfill to be 150mm minus within 1.0 metre of abutments.
6. Coat steel substructure components with supplied coal tar epoxy prior to backfilling.
7. No traffic is permitted for 12 hours and limited to pick-up traffic for 72 hours subsequent to completion of field grouting or as determined by the Engineer.
8. For Substructure Details See Rapidspan Structures Ltd. Drawings No.'s: 00-2131-01, 00-449-01 To 00-449-05.
9. For Bridge Deck Details See Rapidspan Structures Ltd. Drawings No.'s: 00-2131-01, 00-449-01 To 00-449-05.

**ORIGINALS SIGNED AND SEALED**

**AS BUILT**

SCALE: AS NOTED (Metric)		PROJECT No. 11250-1234.12	STRUC. No. N7 - 105
<i>SAMPLE</i> CREEK F.S.R. km 11.9 - <i>SAMPLE</i> CREEK ABUTMENT ASSEMBLY DETAILS / LAYOUT			
Province of British Columbia MINISTRY OF FORESTS - NELSON REGION			
		Survey: <i>ABC SURVEY</i>	
		Design: <i>P. ENGINEER</i>	
		Drawing: <i>I DRAFTSMAN</i>	
0	FOR CONSTRUCTION	1D PE	03/20/00
REV.	DESCRIPTION	BY	APPRO DATE
			DWG. No. N7-105-3
			Rev. 1



### SECTION THROUGH FOOTING (TYP)

SCALE 1:50

**AS BUILT**

**NOTES:**

- Riprap is a critical component of this bridge.
- Riprap shall wrap around the end of the bridge abutments on both the upstream and downstream edges to the depths and minimum thickness for the full width as noted on the drawings.
- Estimated volume of placed riprap for new structure is 170m<sup>3</sup>.
- Riprap to be underlain non-woven geotextile underlay.
- Riprap to be: clean (free of fines), solid, angular, blocky stones; well graded to fill gaps between larger stones, and placed carefully to obtain well graded blanket of interlocking stones.
- Minimum riprap layer thickness is: 1400 millimetres.
- Riprap gradation shall conform to:
  - 33% of stones 875 - 1400mm diameter
  - 33% of stones 525 - 875mm diameter
  - 33% of stones 150 - 525mm diameter

**ORIGINALS SIGNED AND SEALED**

SCALE: AS NOTED (Metric)		PROJECT No. 11250-1239.12	STRUC. No. N7 - 105
<i>SAMPLE</i> CREEK F.S.R. km 11.9 - <i>SAMPLE</i> CREEK RIPRAP DETAILS			
Province of British Columbia MINISTRY OF FORESTS - NELSON REGION			
		Survey: <i>ABC SURVEY</i>	
		Design: <i>P. ENGINEER</i>	
1 <i>As-Built</i>		<i>PE</i>	<i>01/03/14</i>
0 FOR CONSTRUCTION		<i>ID</i>	<i>PE</i>
REV. DESCRIPTION	BY	APPD	DATE
DWG. No. N7-105-4			Rev. 1

DWG. N7-105-4 (1) OF 4